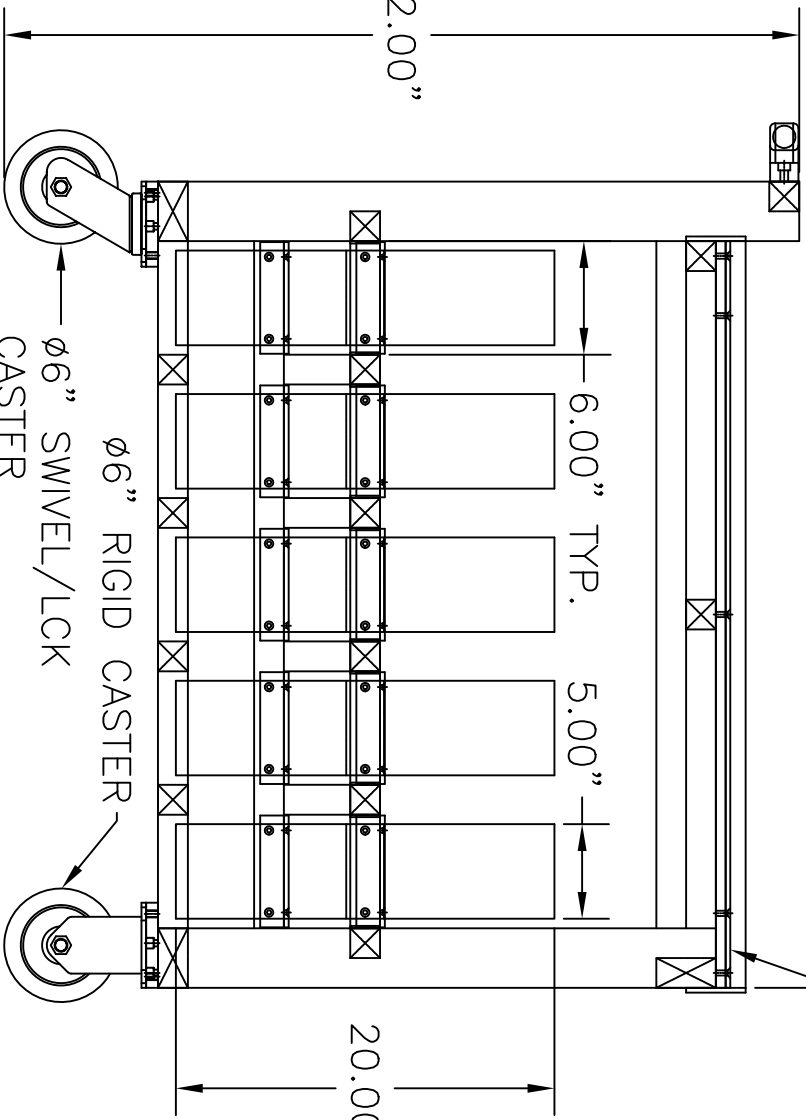


42.60"

OPEN SIDE OF CART

80mm WIDE x 6.35mm THICK LIP AROUND (3) SIDES OF CART TOP

13mm THICK TRESPA TOP COVERED W/ 1/4" THICK NYLON



42.00"

39.45"

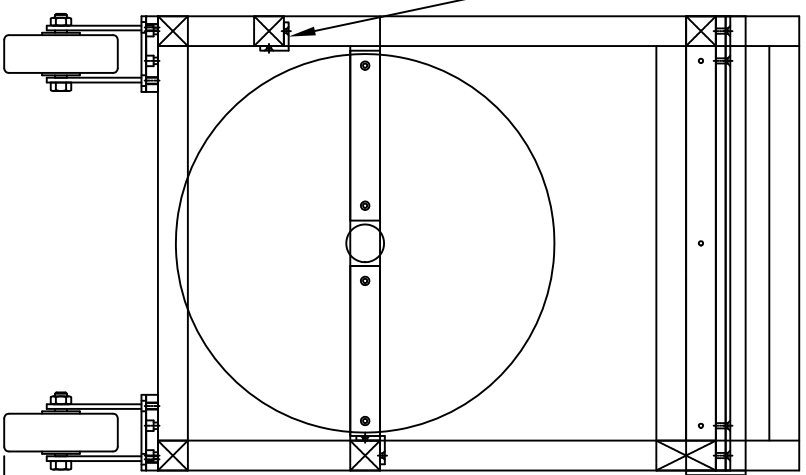
20.00"

6.00" TYP.

5.00"

Ø6" RIGID CASTER
Ø6" SWIVEL/LCK
CASTER

ANGLED UHMW TO PROTECT PROFILE



24.00"

38.36"